

WHOLE STRUCTURE

WHOLE STRUCTURE

PM VARIABLE-FREQUENCY CENTRIFUGAL BLOWER

Highly integrated/Convenient disassembly

Small size, light weight, special structure design, quick disassembly and installation of the whole machine, convenient installation.

PLC electric control system

- Adopt international brand PLC, real-time monitoring system operation data and track, multiple protection and early warning functions;
- Internet of Things database management, establishment of background service platform, and equipment energy efficiency modular management.

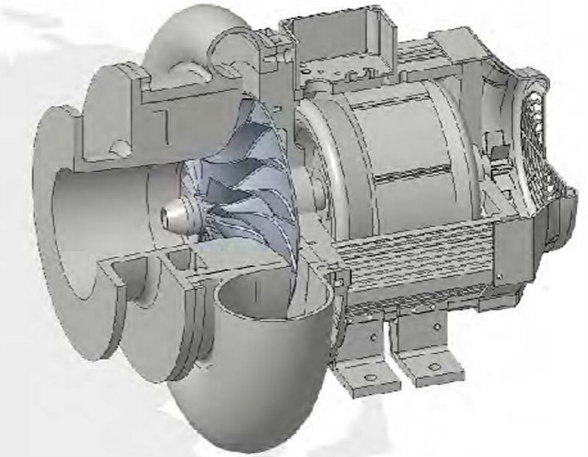


High efficiency frequency converter

- The frequency converter of famous brand is adopted, with high stability and reliability;
- Provide a minimization algorithm for high-speed rotation;
- High speed rotation function of saving energy by adjusting frequency;
- Built in DC reactor, which can suppress power harmonic, precise operation and soft start.

Permanent magnet high-speed host

- PMSM permanent magnet synchronous motor is optimized for high-speed rotation, and its efficiency can reach more than 96%. Accurate speed control can be carried out through frequency converter;
- Precision machining three-dimensional flow impeller.



Intelligent operation panel

- Intelligent operation panel
- Touch screen real-time monitoring equipment operation;
- Intelligent remote control;
- Automatic fault alarm, easy to analyze the cause of fault.



COMPREHENSIVE ADVANTAGES

High efficiency and energy saving

-Permanent magnet synchronous high-speed motor+efficient, three dimensional flow impeller
-40% less energy than traditional fans (vortex, roots, etc.).

Convenient disassembly

-Special structure design is adopted for quick disassembly and installation of the whole machine,
-No mechanical maintenance required for normal operation.

Stable and reliable

-Continuous and stable air flow, no pressure attenuation during long operation,
-FEA analysis and modal analysis of the whole machine to ensure reliable operation of the product,
-It can be started and stopped, frequently and has a wide range of variable working conditions.

Intelligent control

-PLC+remote data monitoring can be used for remote debugging and adjustment of equipment operating conditions

PM variable-frequency centrifugal blower

TURBO BLOWER

- Power:4-45kW
- Pressure:10-40kPa



PARAMETER SELECTION

Technical Parameters (10~20kpa)

MODEL	XLCS4	XLCS5.5	XLCS7.5	XLCS11	XLCS15	XLCS18.5	XLCS22	XLCS30	XLCS37	XLCS45
POWER(kw)	4	5.5	7.5	11	15	18.5	22	30	37	45
PRESSURE	Flow (m ³ /Min): 1 atm, 20 °C humidity 65%									
10	13.2	15.6	21.3	36.1	47.2	51	55.3	78.4	96.8	118
15	11.8	14.9	20.9	30.5	41.6	45.8	52.5	74.6	92.1	112
20	10.1	13.3	18.1	25.8	38.3	43.3	49.1	70.1	86.6	105
25	6.8	10.7	13.8	20.9	28.5	35.1	41.7	57.1	70.3	88
L (mm)	570	650	650	730	730	730	730	730	865	865
W (mm)	430	430	430	510	510	510	510	560	640	720
H (mm)	630	650	650	750	750	750	750	750	955	1035
WEIGHT(kg)	90	90	136	160	160	180	180	260	260	270
OUTLET SIZE	DN65	DN65	DN65	DN100	DN100	DN125	DN125	DN200	DN200	DN200

Technical Parameters (30~40kpa)

MODEL	XLCS4	XLCS5.5	XLCS7.5	XLCS11	XLCS15	XLCS18.5	XLCS22	XLCS30	XLCS37	XLCS45
POWER(kw)	4	5.5	7.5	11	15	18.5	22	30	37	45
PRESSURE	Flow (m ³ /Min): 1 atm, 20 °C humidity 65%									
30	6.2	8.7	11.9	17.5	23.9	29.5	35	48	59.2	72
35	5.2	7.1	10	14.7	21.3	26.2	30.6	40	49.3	58
40	—	—	—	13	17.7	21.8	26	35.4	43.7	53.1
L (mm)	570	650	650	730	730	730	730	730	865	865
W (mm)	430	430	430	510	510	510	510	560	640	720
H (mm)	630	650	650	750	750	750	750	750	955	1035
weight(kg)	90	90	136	160	160	180	180	260	260	270
OUTLET SIZE	DN65	DN65	DN65	DN100	DN100	DN125	DN125	DN200	DN200	DN200